

Allproof Low Profile Fire Collar Plastic Pipe through a Plasterboard Ceiling- Particleboard Floor See pg2 for PVC, PP-R, PEX, etc

System/FPA Register ID# FC735

Products	Allproof Low-Profile Fire Collar
Application	Fire stopping of plastic pipe in floor-ceiling system
Construction	Ceiling of 2x13mm fireboard and floor above of 19mm particleboard

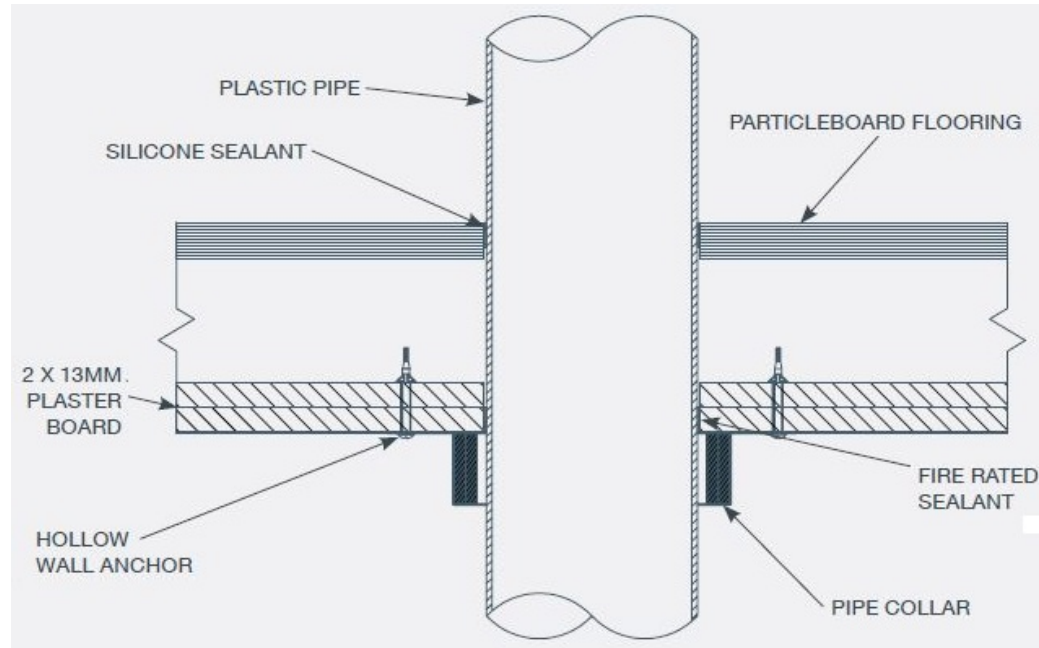
Fire Classification:

See pg2 for details of pipe types and sizes:

PVC up to 100mm diam	FRR -/90/90
PVC with PVC socket up to 100mm diam	FRR -/90/90
Polybute up to 28mm diam	FRR -/90/90
PP-R up to 32mm diam	FRR -/90/90
PEXa up to 25mm diam	FRR -/90/90

INSTALLATION INSTRUCTIONS:

1. Ensure substrate around the pipe is flat and free from obstructions.
2. Seal the annular space between the plasterboard and the pipe with Allproof MAS310 fire sealant to a depth of at least 13mm
3. Open pipe collar and position around the pipe.
4. Slide tab through slot in pipe collar and fold back 180° to secure.
5. Secure collar using metal hollow wall anchors fixed directly into the plasterboard. Do not use fixings which rely on plastic or nylon components for grip.
6. Finally seal the space between the pipe and the particleboard with a silicone sealant (or with FR Acrylic/MAS310).



BRANZ Appraised
 Appraisal No.1088 [2019]

As a part of our policy of on-going product development and testing, we reserve the right to modify, alter or change product specifications without giving notice. All information contained in this document is given in good faith and is provided for guidance only. Any drawings provided are for illustrative purposes only. As Firestop Centre has no control over the methods or competence of installation and of prevailing site conditions, no warranties, expressed or implied, is intended to be given as to the actual performance of the product mentioned or referred to herein and no liability whatsoever will be accepted for any loss, damage or injury arising from the use of the information given.

For all technical details on the products specified please refer to the technical data sheets that can be found on www.firestopcentre.co.nz

Signed and approved:

ALLPROOF

INDUSTRIES

Allproof Industries Ltd
 17 Bay Park Place
 Beach Haven, AK 0626

Sheet size: A4	Drawn date & no: 28/7/21
Scale: NTS	Drawn by: G.P

2 X 13MM PLASTERBOARD CEILING TEST RESULTS:

NOMINAL PIPE SIZE (MM)	NOMINAL PIPE WALL THICKNESS (MM)	PRODUCT CODE	PENETRATION HOLE SIZE (MM)	PLASTERBOARD CEILING FRL*	REPORT NUMBER
PVC PLASTIC PIPE					
40	2.0	ALLFC40	55	-/90/90	190268.1
50	2.5	ALLFC50	70	-/90/90	190268.1
65	2.7	ALLFC65	76	-/90/90	210371
80	2.9	ALLFC80	89	-/90/90	210371
100	3.5	ALLFC100	110	-/90/90	190268.1
PVC PLASTIC PIPE - WITH PVC SOCKETS					
40	Socket	ALLFC40	51	-/90/90	142100
50	Socket	ALLFC50	70	-/90/90	210371
65	Socket	ALLFC65	76	-/90/90	210371
80	Socket	ALLFC80	89	-/90/90	210371
100	Socket	ALLFC100	114	-/90/90	142100
POLYBUTE					
15	1.9	ALLFC25	19	-/90/90	142100
20	2.1	ALLFC25	25	-/90/90	142100
28	3.0	ALLFC25	32	-/90/90	142100
PP-R PLASTIC PIPE (SDR 7.4)					
20	2.8	ALLFC25	25	-/90/90	142100
PP-R PLASTIC PIPE (SDR 11)					
32	3.2	ALLFC40	40	-/90/90	190268.1
PEX PIPE					
16	2.4	ALLFC25	24	-/90/90	190268.1
20	2.8	ALLFC25	25	-/90/90	142100
25	3.5	ALLFC25	28	-/90/90	142100

Fixing: Collars tested using hollow wall anchors

* Tested using a 190mm deep timber framing with two layers of 13mm fire rated plasterboard on the exposed side of the frame and 19mm particleboard flooring on the unexposed side of the frame. A total floor-ceiling thickness of 235mm. Fire collars are fixed using hollow board anchors directly into plasterboard - not fixed into framing or studs. Intumescent sealant is applied in the space between the pipe and plasterboard on the exposed face and silicone sealant between the pipe and particleboard flooring on the unexposed face.

PLASTERBOARD CEILING INSTALLATION DETAILS:

